

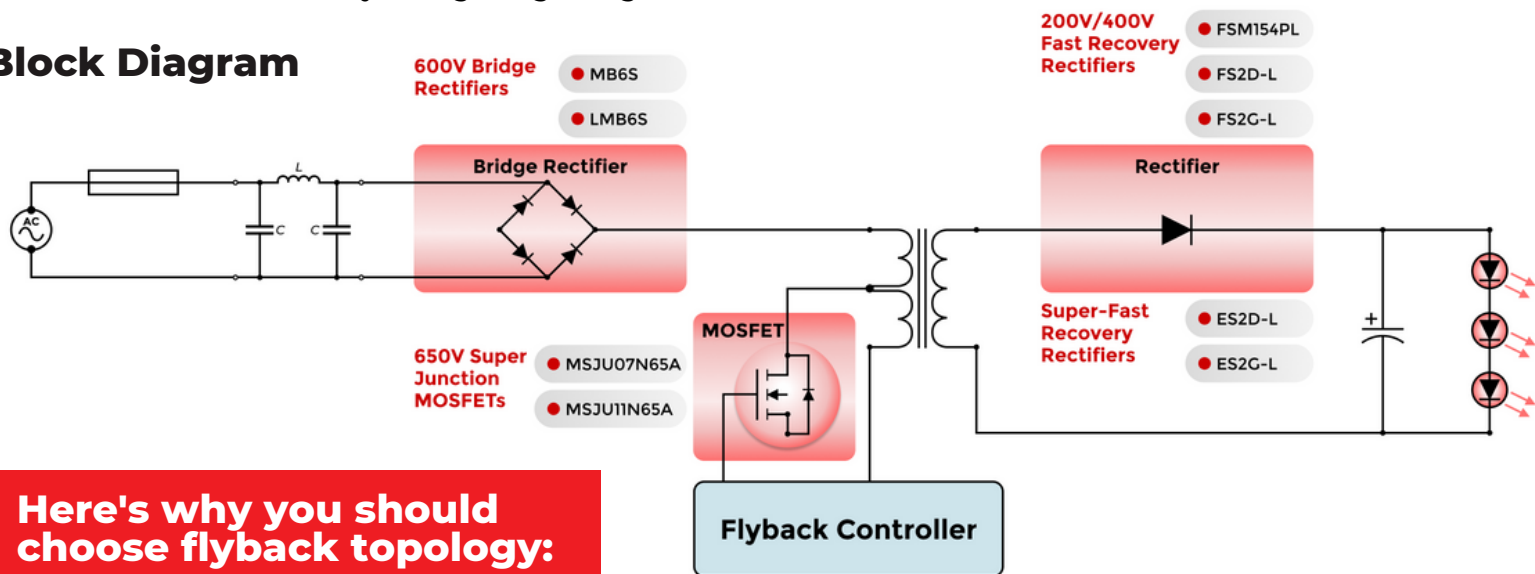
LED LIGHTING SYSTEMS

MCC-powered, simple flyback topology LED drivers

Unleash the power of flyback topology for low-power LED drivers!

Introducing our flyback topology LED drivers solution — the cost-effective and efficient choice for illuminating your space with stunning LED lighting. With a wide range of benefits, our LED drivers solution will revolutionize your lighting design.

Block Diagram



Here's why you should choose flyback topology:

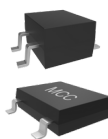
- Unparalleled efficiency
- Compact and lightweight design
- Versatile performance
- Electromagnetic interference (EMI) control
- Enhanced safety and protection
- Reliable and consistent performance
- Unmatched durability
- Cost-effective solution

By opting for flyback topology, you can benefit from improved energy efficiency, reliable performance, enhanced safety measures, and a cost-effective solution that meets your system requirements.

Bridge Rectifiers

600V

- [MB6S](#)
- [LMB6S](#)



MOSFETs

650V Super Junction

- [MSJU07N65A](#)
- [MSJU11N65A](#)



Rectifiers

200V/400V Fast Recovery

- [FSM154PL](#)
- [FS2D-L](#)
- [FS2G-L](#)



Rectifiers

Super Fast

- [ES2D-L](#)
- [ES2G-L](#)

