



REVOLUTIONIZING EV CHARGER

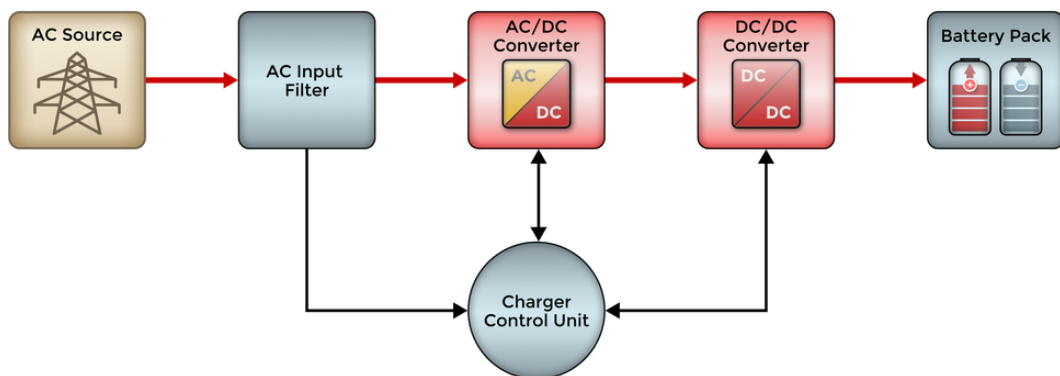
Accelerating EV Adoption

Unleashing Speed: The 80% Reduction in Charge Times with DC Fast Chargers

Switching to electric vehicles has been hindered by the time-consuming charging process, deterring drivers used to the quick refueling of gas stations. However, DC fast chargers have revolutionized EV charging by significantly reducing downtime from hours to mere minutes. By bypassing the vehicle's on-board charger, these systems efficiently power up EV batteries through a two-step conversion process, making sustainable transportation more practical and appealing to a wider audience.

Block Diagram

When engineering DC fast chargers and sub-unit power converters, engineers should take into account the following key considerations:



Key Design Considerations

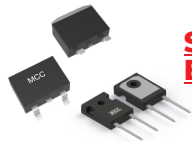
- Charging speed
- High-voltage capability
- Safety
- Efficiency
- Cost
- Compatibility
- Scalability
- Environment
- Industry standards

Recommended Products



SiC MOSFETS

- [SICW080N120Y](#)
- [SICW080N120Y4](#)



SiC Schottky Barrier Diodes

- [SICB5060XY](#)
- [SICPT5060Y](#)
- [SICB20120Y](#)
- [SICPT40120YA](#)



IGBT Discrete

- [MIW75N65F](#)



Power MOSFETS

- [MSJPF20N65A](#)



IGBT Modules

- [MIP75R12E2TN](#)
- [MIP100R12E2TN](#)